

# Nederman N series Fans



The N series fan is an important component in Nederman's wide range of quality products for fume extraction and filtering, as well as for vehicle exhaust extraction. A range of fans is available from 0.55 kW to 2.2 kW (0.75 Hp to 3 Hp), both single and three phase.

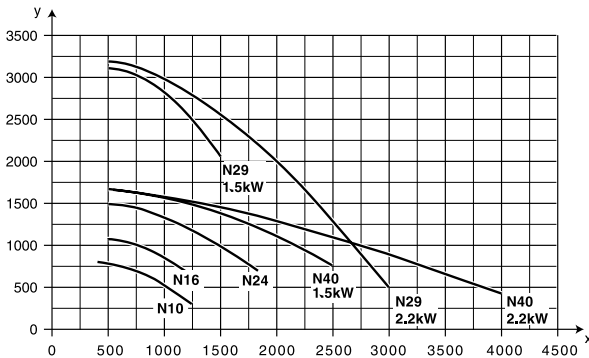
- Simple and powerful



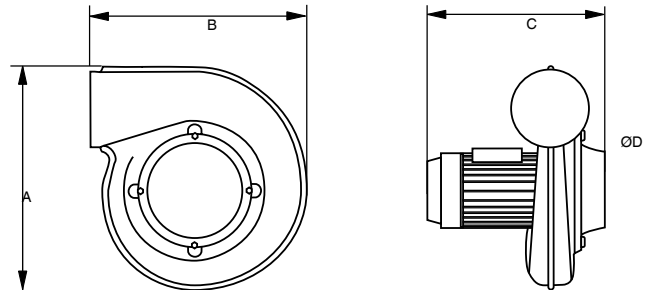
Dimensions				
Fan	A	B	C	D
N10/N16	478	457	321	160
N24	478	457	341	160
N40	493	582	482	250
N29	635	643	475	160

(mm)

## Pressure drop



X: airflow m<sup>3</sup>/h  
Y: static pressure Pa



Model	Airflow, m <sup>3</sup> /h	Voltage, V	Frequency, Hz	Phase	Rated current, A	Power, kW	Connection Ø in / out, mm	Weight, kg	Part no.
N10*	400-1200	115/230	50	1	8.7/4.4	0.55	160/160	15	14521321
N10*	400-1250	230/400	50	3	2.4/1.4	0.55	160/160	13	14521621
N16*	400-1200	115/230	50	1	8.7/4.4	0.55	160/160	15	14510121
N16*	500-1250	230/400	50	3	2.4/1.4	0.55	160/160	13	14510521
N24*	400-1500	115/230	50	1	13.6/6.5	0.75	160/160	17	14510122
N24*	400-1750	230/400	50	3	3.7/2.2	0.9	160/160	17	14510422
N40*	500-4000	230/400	50	3	7.9/4.6	2.2	200/250	29	14510123
N40***	500-2500	230/400	50	3	5.7/3.3	1.5	200/250	25	14510623
N29**	500-3000	230/400	50	3	7.9/4.6	2.2	160/160	32	14510129
N29*	500-3000	230/400	50	3	7.9/4.6	2.2	160/160	32	14510829
N29**	500-1500	230/400	50	3	5.7/3.3	1.5	160/160	28	14520129

\*) Excluding fan bracket \*\*) Including fan bracket

\*\*\*) Excluding fan bracket, can not be used without connections, max. airflow is 2500 m<sup>3</sup>/h

For further information please contact your local Nederman sales representative.  
Also see the Nederman Design & Engineering Guide and [www.nederman.com](http://www.nederman.com)

Product availability may differ by country

# Portable Fans



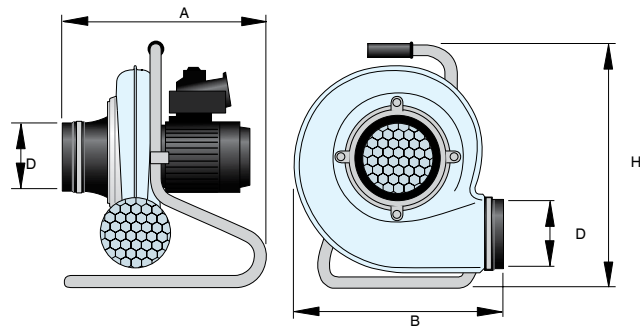
Nederman portable fan is a simple and powerful ventilation unit for service, repair and other temporary work. Ideal as an extractor for welding fumes, steam, dust or for providing fresh air during work in confined and enclosed spaces. A compact and easy to use fan which, in combination with inlet and outlet connections, makes a flexible and versatile unit with a wide range of applications.

- Compact and easy to use
- Stand included, wheel set as accessory
- On/off switch and motor protector included
- Robust and powerful



Dimensions				
Fan	A	B	D	H
N16	430	484	Ø160	550
N24	430	484	Ø160	550

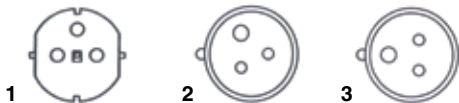
(mm)



Model	*	Electric connection	Airflow, m <sup>3</sup> /h	Voltage, V	Frequency, Hz	Phase	Rated current, A	Power, kW	Connection Ø in/out, mm	Weight, kg	Part no.
N16	1	CEE 7/2 P+E 230 V	500-1200	220/240	50	1	8.7/4.35	0.55	160/160	15	14511321
N16	2	CEE 17/2 P+E 100 V	500-1200	110/120	50	1	8.7/4.35	0.55	160/160	15	14511921
N16	3	CEE 17/2 P+E 230 V	500-1200	220/240	50	1	8.7/4.35	0.55	160/160	15	14512221
N24	1	CEE 7/2 P+E 230V	500-1500	220/240	50	1	11/5.5	0.75	160/160	17	14511322
N24	2	CEE 17/2 P+E 100 V	500-1500	110/120	50	1	11/5.5	0.75	160/160	17	14511922
N24	3	CEE 17/2 P+E 230 V	500-1500	220/240	50	1	11/5.5	0.75	160/160	17	14512222

\* Electric connections

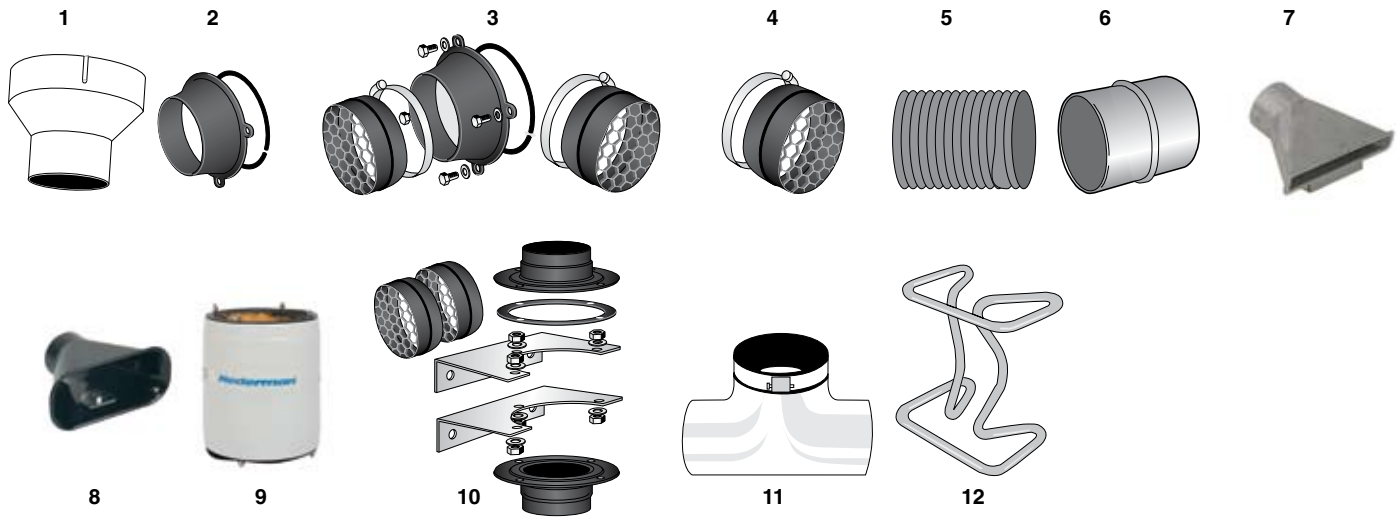
Accessories	Part no.
Hose and nozzle kit for N16/N24 portable fans	14346590
Wheel set for N16 or N24 portable fan	14371707



Nederman also offers Fan Inverters and large capacity NCF fans. For information about these products, please see the Nederman Design Guide, or visit [www.nederman.com](http://www.nederman.com), or contact your nearest Nederman dealer.

Product availability may differ by country

# Accessories for Fans



	Description	Part no.
1	Adaptor Ø125/Ø100 mm	14341077
1	Adaptor Ø125/Ø75 mm	14341080
1	Adaptor int. Ø160/ext. Ø75 mm	14510426
1	Adaptor int. Ø160/ext. Ø100 mm	14510526
1	Adaptor int. Ø160/ext. Ø125 mm	14510626
1	Adaptor Ø150/Ø125 mm	14511126
1	Adaptor Ø160/Ø150 mm	14511226
2	Inlet adaptor for hose Ø160 mm for fan N10/N16/N24	14510326
3	Inlet adaptor for hose Ø160 mm and two guard nets for fan N10/N16/N24	14322166
4	Guard net, 1 pc, for fan N10/N16/N24	14333181
5	Hose. L = 5 m. Ø100 mm. PVC. Black.	10500427
5	Hose. L = 5 m. Ø125 mm. PVC. Black.	10500527
5	Hose. L = 5 m. Ø150 mm. PVC. Black.	10500627
5	Hose. L = 5 m. Ø160 mm. PVC. Black.	10511026
6	Jointing tube 3"-3" (75 mm)	14503626
6	Jointing tube 4"-4" (100 mm)	14504626
6	Jointing tube 5"-5" (125 mm)	14505626
6	Jointing tube 6"-6" (150 mm)	14506626
6	Jointing tube Ø160-Ø160 mm	14511326
7	Nozzle with magnet. 250 x 30 mm. Aluminium. Ø100 mm.	14500226
8	Nozzle with magnet. 260 x 100 mm. Polycarbonate. Ø100 mm.	14501226
9	Silencer for fan when mounting on Original/Telescopic	14502126
9	Silencer including quick release (for fan mounting on Filterbox)	14502226
10	Wallbracket for silencer	14343089
11	Split intake Ø125 int./2 x Ø100 mm ext.	14500526
11	Split intake Ø125 int./2 x Ø125 mm ext.	14500726
11	Split intake Ø125 int./2 x Ø75 mm ext.	14500826
11	Split intake Ø160 int./2 x Ø100 mm ext.	14510726
11	Split intake Ø160 int./2 x Ø125 mm ext.	14510826
11	Split intake Ø160 int./2 x Ø75mm ext.	14510926
12	Support bracket for N10/N16/N24 for fixed mounting	14510126
12	Support bracket for N40 for fixed mounting	14510226
12	Support bracket for portable N16/N24 fan	14511426
12	Support bracket for fan N29	14321745