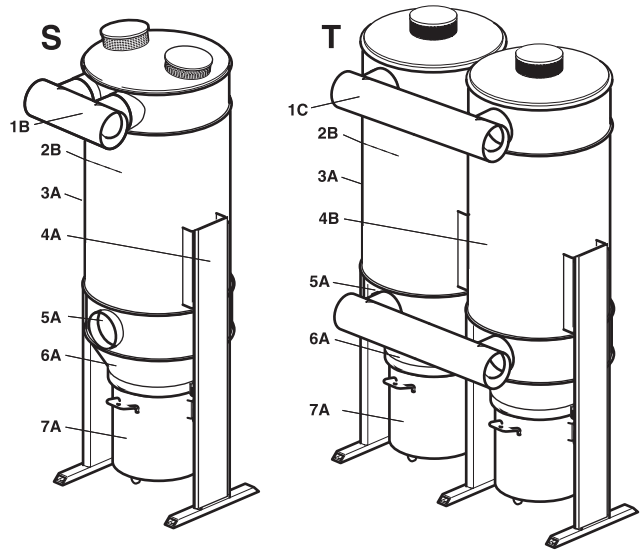


# High Vacuum Dust Collectors

## Nederman FlexFilter

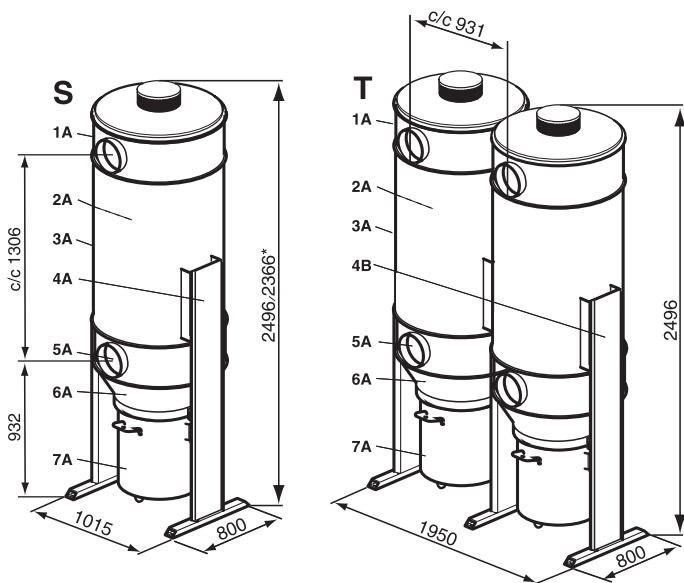


	FlexFilter Single	FlexFilter Twin
Capacity	m <sup>3</sup> /h 1600	3200
Filter area	m <sup>2</sup> 12	2x12
Filtration	BIA category S	BIA category S
Dust bin	l 70	2x70
Weight	kg 184	344
Part no.	40118600	40118605



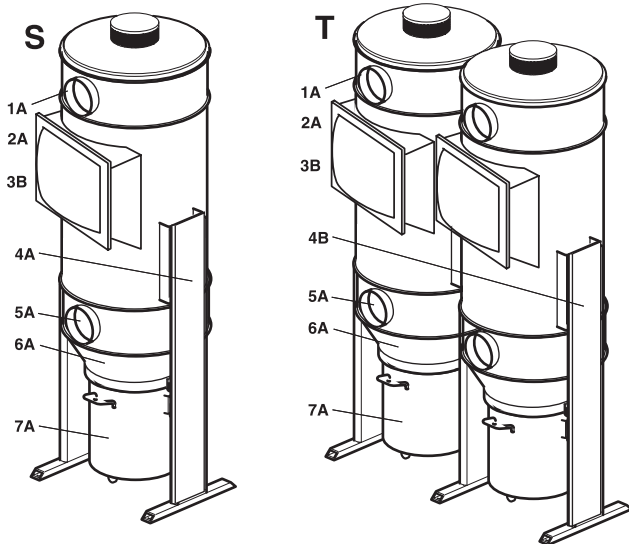
FlexFilter Single and Twin RF

## Nederman FlexFilter standard models



	FlexFilter Single RF	FlexFilter Twin RF
Capacity	m <sup>3</sup> /h 1800	3600
Filter area	m <sup>2</sup> 12	2x12
Filtration	BIA category C	BIA category C
Dust bin	l 70	2x70
Weight	kg 218	399
Part no.	40118601	40118606

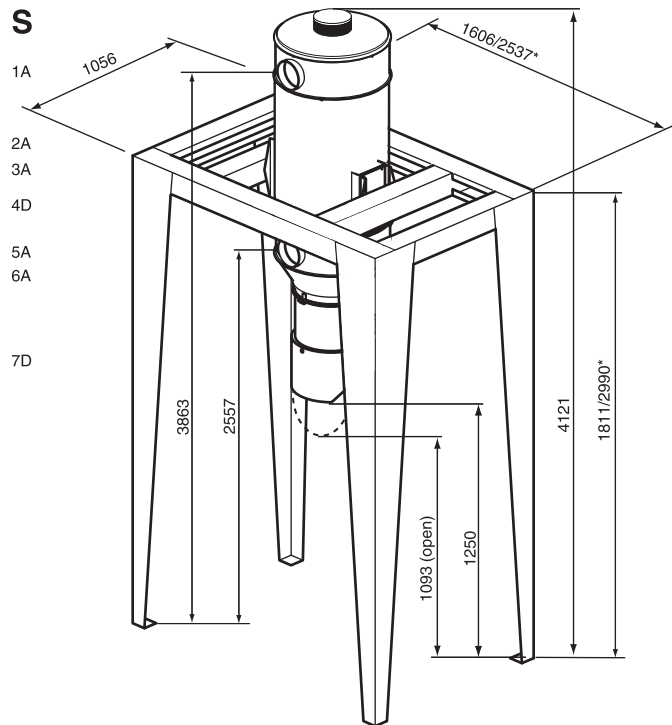
FlexFilter Single and Twin\*) height with 50 l bin. See level 7.



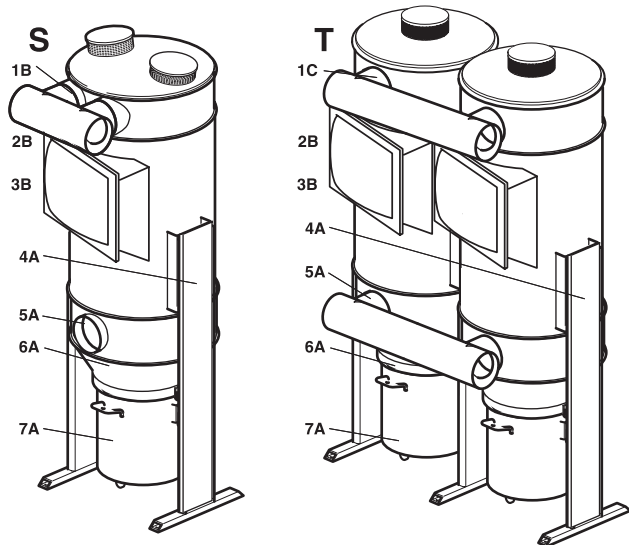
*FlexFilter Single and Twin with explosion relief panel*

	<b>FlexFilter Single with expl relief panel</b>	<b>FlexFilter Twin with expl relief panel</b>
Capacity	m <sup>3</sup> /h 1600	3200
Filter area	m <sup>2</sup> 12	2 x 12
Filtration	BIA category C	BIA category C
Weight	kg 220	392
Dust bin	l 70	70 x 2
Inlet / outlet Ø	mm 200	200
Part no.	40118602	40118607

	<b>FlexFilter Single RF with expl relief panel</b>	<b>FlexFilter Twin RF with expl relief panel</b>
Capacity	m <sup>3</sup> /h 1800	3600
Filter area	m <sup>2</sup> 12	2 x 12
Filtration	BIA category C	BIA category C
Weight	kg 238	439
Dust bin	l 70	70 x 2
Inlet / outlet Ø	mm 200	200
Part no.	40118603	40118608



*FlexFilter Single with automatic emptying bin, high stand*



*FlexFilter Single and Twin RF with explosion relief panel*

<b>FlexFilter Single with automatic emptying bin (high stand)</b>		
Capacity	m <sup>3</sup> /h	1600
Filter area	m <sup>2</sup>	12
Weight	kg	305
Dust bin	l	70
Inlet / outlet Ø	mm	200
Free height under opened lid	mm	1093