

Service tower

Self-standing construction for service reels



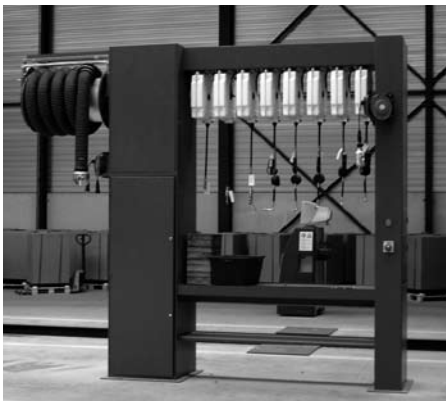
Nederman Service tower means efficient access to:

- integrated workbench
- fluid, air and energy
- cleaning system
- exhaust extraction
- fluid monitoring system
- workbench
- drainage of waste oil

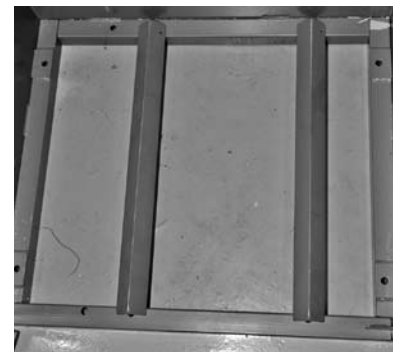
Available in five models for different numbers of hose/cable reels, and one model (Service column) for hose/cable reels plus one exhaust hose reel or vacuum reel.

Material: sheet metal. Surface treatment: painted.

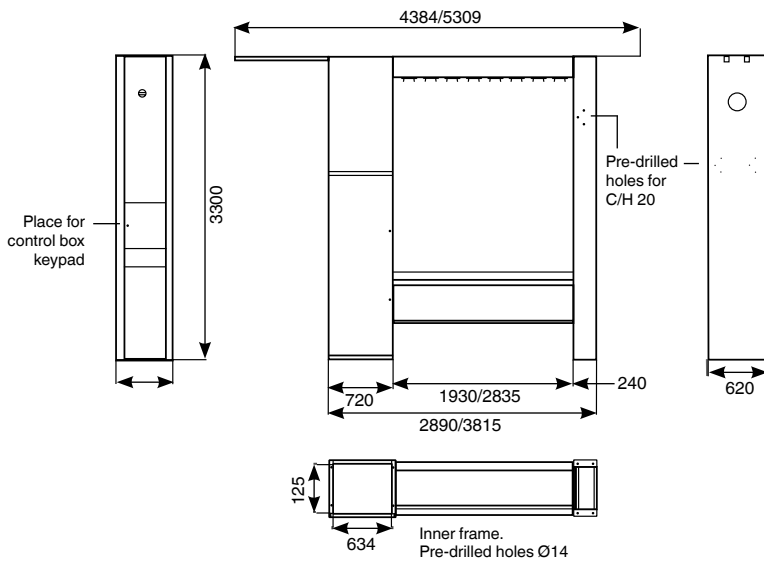
Code: RAL5009



Door on which the keypad for a Fluid Monitoring System is mounted. Electrical hubs are placed inside the compartment behind the door.

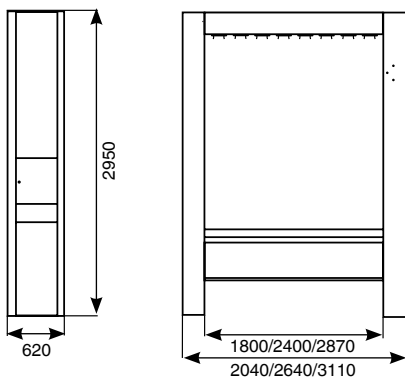


Inside of the Service tower. There is space for a full barrel of grease (200 kg).



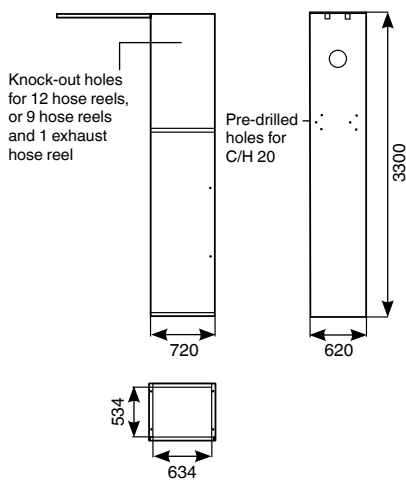
Technical specifications

For number of hose reels	Bracket for exhaust hose reel	Bracket for vacuum reel	Drip tray with drange	Space for full grease barrel	Prepared for 4 x H/C reels	Prepared for Fluid Management keypad	Weight, kg	Part no.
8	x	x	x	x	x	x	550	30506650
12	x	x	x	x	x	x	600	30503050



Technical specifications

For number of hose reels	Drip tray with drange	Prepared for Fluid Management keypad	Weight, kg	Part no.
6	x	-	280	30506750
10	x	-	295	30504250
12	x	-	310	30504350



Technical specifications

For number of hose reels	Drip tray	Space for full grease barrel	Prepared for 4 x H/C reels	Prepared for Fluid Management keypad	Weight, kg	Part no.
12	Accessory	x	-	-	280	30502950

Bracket for exhaust hose reel is included in the unit. If an exhaust hose reel is installed, 9 hose reels can be mounted.

Nederman

www.nederman.com

AB Ph. Nederman & Co
Box 602, SE-251 06, Helsingborg, Sweden
Tel: +46 42 18 87 00, Fax: +46 42 14 79 71